

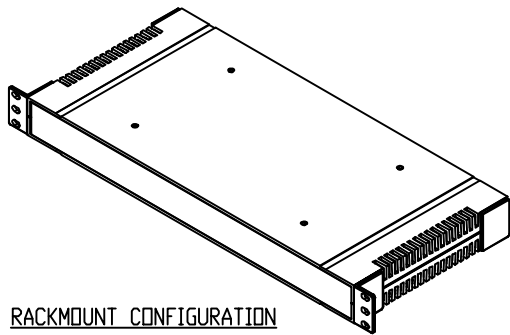
PART NAME

RACKMOUNT BOX

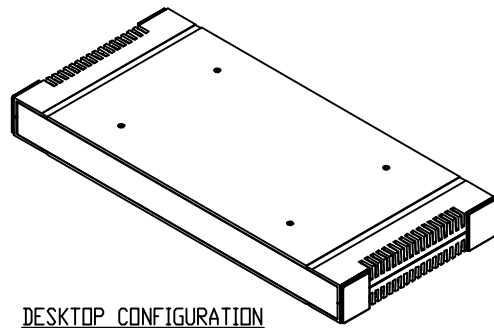
PART No.

PRM-14460 TO PRM-14464

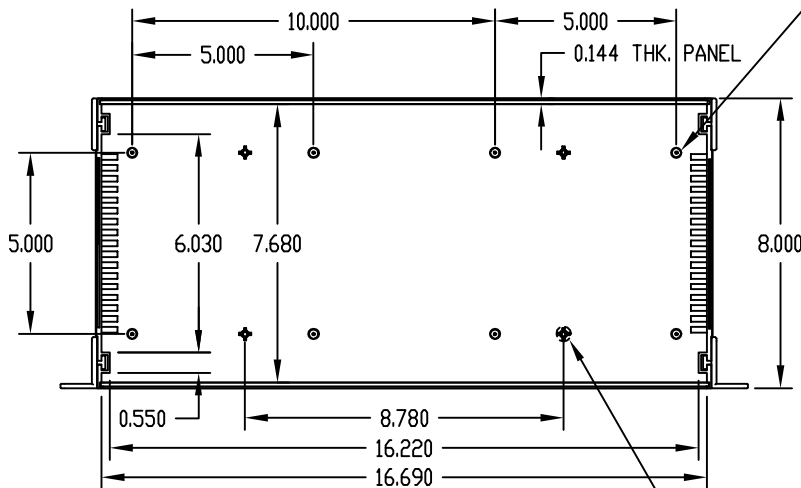
REV. DATE



RACKMOUNT CONFIGURATION



DESKTOP CONFIGURATION



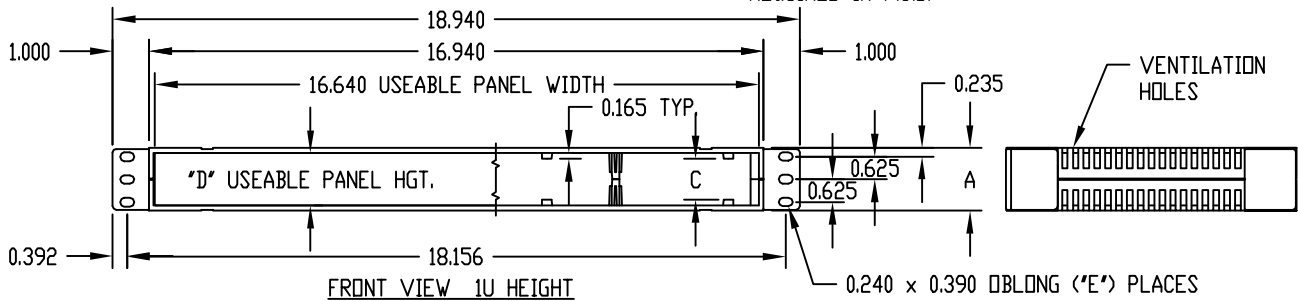
TOP VIEW (LESS TOP)

0.250 DIA. BOSS WITH 0.085 DIA. HOLE x 0.182 DEEP (16) PLACES
(8) PL'S. IN BOTTOM, (8) PL'S. IN TOP

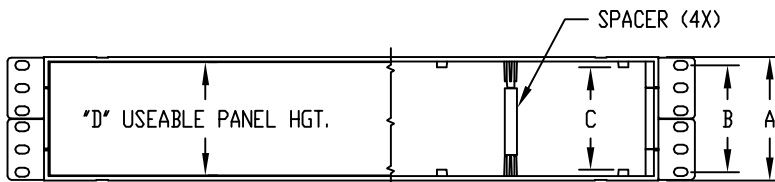
MATERIAL:
MOLDED ABS UL94-HB
FINISH:
BLACK TEXTURED

NOTES:
UNITS SHIPPED UNASSEMBLED
MOUNTING BOSSES USE EITHER M2.5 METRIC OR #4 STD. SHEET METAL SCREWS x 0.188" LG. (NOT SUPPLIED)
ALL DIMENSIONS HAVE ±0.015 TOLERANCE UNLESS OTHERWISE SPECIFIED.

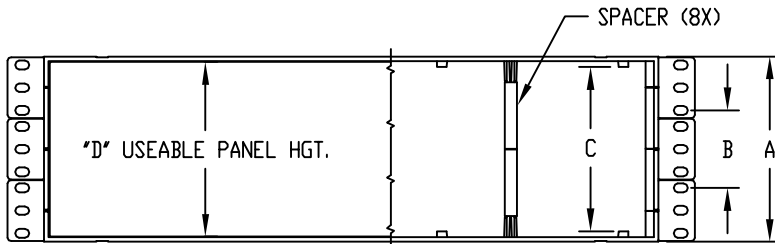
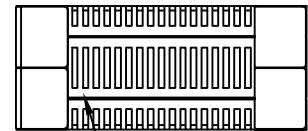
0.406 DIA. CLEARANCE HOLE REQUIRED IN P.C.B.



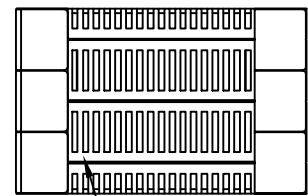
FRONT VIEW 1U HEIGHT



FRONT VIEW 2U HEIGHT



FRONT VIEW 3U HEIGHT



PART No.	'A'	'B'	'C'	'D'	'E'
PRM-14460	1.720	---	1.130	1.440	(6)
PRM-14462	3.416	3.000	2.826	3.128	(12)
PRM-14464	5.112	2.250	4.522	4.816	(18)